

# **SINGER**

## **61W76**

# LIST OF PARTS



## MACHINE No. 61w76

THE SINGER MANUFACTURING COMPANY

## INDEX

|                               | PAGE |
|-------------------------------|------|
| ACCESSORIES .....             | 16   |
| BOBBIN WINDER .....           | 16   |
| KNEE LIFTER .....             | 17   |
| MACHINE No. 61w76 .....       | 7    |
| NUMERICAL LIST OF PARTS ..... | 19   |
| THREAD UNWINDER .....         | 18   |

From the library of: Diamond Needle Corp

## Instructions for Ordering

In ordering from this list, use **ONLY** the **PART** number in the **FIRST** column.

The number stamped on a Sewing Machine Part is the number of the Single Part only, except when the part includes Set Screws, Clamping Screws, Studs and Rollers Spun on, Small Wires riveted, or Parts soldered together, etc., which it is necessary to furnish in combination.

Every combination of parts sent out has its specific number which, although not stamped on Parts (except in above cases) must be used when ordering the combination.

Each number always indicates the **SAME PART** in whatever list it appears, or for whatever Machine.

The letters after some of the numbers indicate the style of finish only, as follows:

- A. Hardened, Polished and Plated.
- B. Polished and Plated.
- C. Hardened only.
- D. Polished only.
- E. Soft, not polished.
- F. Hardened and Polished.
- H. Blued.

These letters **MUST BE USED** when they appear in the list and **AFTER** the number, as in the list.

In this series

200001 to 201500 are Screw Numbers.

201501 to 201800 are Nut Numbers.

201801 to 202000 are Roller Numbers.

202001 and upward are numbers of Machine Parts.

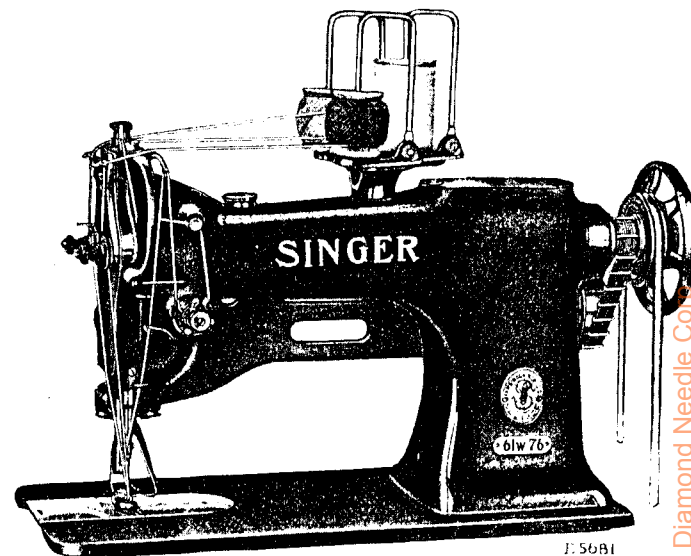
The figures in the second column refer only to the plate in which the illustration of the part is shown and are **NOT TO BE USED** in ordering.

Two or more numbers over a cut indicate that the difference between such parts is not visible in an illustration.

Parts marked with an asterisk (\*) are furnished only when repairs are made at the factory.

## LIST OF PARTS COMPLETE

FOR



### MACHINE No. 61w76

FOR EMBROIDERY WORK

Weaves a Cord or Cords into the Stitches for  
an Embroidery Effect

| No.     | Plate | Name  |
|---------|-------|---|
| *207090 | ---   | Arm .....   |
| *202561 | ---   | " Bracket .....                                       |
| 202562  | 10285 | " " Brace with 200057F ....                           |
| 200057F | 10285 | " " " Pinch Screw ....                                |
| 200330C | 13371 | " " " Screw .....                                     |
| 201528E | 13371 | " " " " Nut .....                                     |
| 200558H | 10285 | " " Screw (lower) .....                               |
| 350168H | 13371 | " " " (long, upper) ....                              |
| 200769E | 10285 | " " " (short, upper) ...                              |
| 201522E | 10246 | " " " Nut (2) .....                                   |
| 225532  | 10285 | " " " Washer (2) .....                                |
| 202563  | 13372 | " " Shaft .....                                       |
| 202564  | 10286 | " " " Bevel Gear, 24<br>teeth, with two 200395C ..... |
| 200395C | 10286 | Arm Bracket Shaft Bevel Gear Set<br>Screw .....       |

| No.     | Plate | Name  |
|---------|-------|---|
| *202569 | ---   | Arm Bracket Shaft Driving Pulley                                  |
| 200363c | 10248 | " " " " " "   |
|         |       | Set Screw .....   |
| 202565  | 10285 | Arm Bracket Shaft Pulley with<br>202253 and two 200394c .....     |
| 202566  | 13372 | Arm Bracket Shaft Pulley Belt ...                                 |
| 200394c | 13371 | " " " " Set Screw   |
| 202253  | 10244 | " " " " Spring<br>Flange .....                                    |
| 202247  | 13372 | Arm Cap .....   |
| 200278H | 10244 | " " Screw .....   |
| 202248  | 10244 | " " " Washer .....  |
| 204235  | 10668 | " Position Pin (2) .....  |
| 200010E | 10245 | " Screw (3) .....   |
| 202005  | 10245 | " " Washer (3) .....  |
| 202567  | 13372 | " Shaft with 200367E and 203100                                   |
| 203159  | 13372 | " " Bushing (back) with<br>202244 .....                           |
| 202244  | ---   | Arm Shaft Bushing (back) Oil<br>Packing (wick) .....              |
| 200338c | 10244 | Arm Shaft Bushing (back) Set<br>Screw .....                       |
| 207080  | 13372 | Arm Shaft Bushing (front) with<br>202244 .....                    |
| 202244  | ---   | Arm Shaft Bushing (front) Oil<br>Packing (wick) .....             |
| 200502B | 10246 | Arm Shaft Bushing (front) Oil<br>Packing Thumb Screw .....        |
| 200338c | 10244 | Arm Shaft Bushing (front) Set<br>Screw .....                      |
| 202530  | 13372 | Arm Shaft Connection Belt .....                                   |
| 202252  | 10244 | " " " " Pulley<br>with 200327c, 200602E and two<br>202253 .....   |
| 200602E | 10244 | Arm Shaft Connection Belt Pulley<br>Position Screw .....          |
| 200327c | 10244 | Arm Shaft Connection Belt Pulley<br>Set Screw .....               |
| 202253  | 10244 | Arm Shaft Connection Belt Pulley<br>Spring Flange .....           |
| 203100  | ---   | Arm Shaft Oil Packing (wick) ....                                 |
| 200367E | 13371 | " " " " Stop Screw<br>(left hand) .....                           |
| *202568 | ---   | Balance Wheel (belt groove 2½ in.<br>diam.) .....                 |
| 202962  | 13374 | Balance Wheel complete, Nos.<br>202568, 202569 and two 200363c .. |
| *207081 | ---   | Bed .....   |

| No.     | Plate | Name   |
|---------|-------|--|
| 207082  | 13373 | Bed Plate (back) .....   |
| 200577H | 10245 | " " " Screw .....  |
| 207083  | 13373 | " Slide (front) .....  |
| 202265  | 10964 | Bobbin .....   |
| *202806 | ---   | " Case .....   |
| 202267  | 10964 | " " Latch .....  |
| *202056 | 10964 | " " " Pin .....  |
| 202269  | 10964 | " " " Plunger .....  |
| 202270  | 10964 | " " " Spring .....   |
| 202716  | 10964 | " " Tension Spring .....   |
| 200984c | 10964 | " " " " Regulat-<br>ing Screw .....  |
| 200594c | 10964 | Bobbin Case Tension Spring Screw   |
| 202533  | 10964 | Bobbin Case complete, Nos. 200594c,<br>200984c, 202056, 202267, 202269,<br>202270, 202716 and 202806 ..... |
| 202571  | 10286 | Cord Guide .....   |
| 202578  | 10286 | " " .....  |
| 202572  | 13371 | " " Pin .....  |
| 202570  | 10286 | " Guiding Arm .....  |
| 200231D | 10285 | " " " Hinge Screw ..   |
| 201516E | 10285 | " " " " " Nut  |
| 202573  | 10286 | " " Eccentric Shaft .....  |
| 202564  | 10286 | " " " " Bevel<br>Gear, 24 teeth, with two 200395c  |
| 202575  | 13373 | Cord Guiding Eccentric Shaft Bevel<br>Gear Guard .....   |
| 200564c | 13371 | Cord Guiding Eccentric Shaft Bevel<br>Gear Guard Screw .....   |
| 200395c | 10286 | Cord Guiding Eccentric Shaft Bevel<br>Gear Set Screw .....   |
| 213639  | 13371 | Cord Guiding Eccentric Shaft Col-<br>lar with 200380c .....  |
| 200380c | 10286 | Cord Guiding Eccentric Shaft Col-<br>lar Set Screw .....   |
| 202576  | 10286 | Cord Guiding Eccentric Shaft<br>Washer .....   |
| 200049D | 10286 | Cord Guiding Eccentric Shaft<br>Washer Screw .....   |
| 202577  | 13373 | Cord Tension Bracket .....   |
| 200164D | 10286 | " " " Screw .....  |
| 202402  | 10247 | " " Disc .....   |
| 202572  | 13371 | " " " Stop Pin .....   |
| 202579  | 13371 | " " Spring .....   |
| 202580  | 10286 | " " " Washer .....   |
| 200618B | 13371 | " " Stud .....   |
| 201572E | 10881 | " " " Thumb Nut .....  |

| No.     | Plate | Name   |
|---------|-------|--|
| *206776 | —     | Hook (sewing) .....  |
| 206777  | 10964 | " 206776 with 200145H, 200596F,<br>200614C, 202320, 203101, 206751,<br>206775 and 206852 ..... |
| 206740  | —     | Hook and Bobbin Case complete,<br>Nos. 202533 and 206777 .....                                 |
| 206852  | 10964 | Hook Gib .....   |
| 200614C | 10964 | " " Hinge Screw .....  |
| 200596F | 10964 | " " Screw .....  |
| 203101  | —     | " Oil Wick .....   |
| *202320 | —     | " Shaft, 11 $\frac{1}{16}$ in. long .....  |
| 202321  | 10245 | " " Bushing (back) .....   |
| 200346C | 10245 | " " " " Set Screw .....  |
| 202322  | 10245 | " " " (front) .....  |
| 200346C | 10245 | " " " " Set Screw .....  |
| 202323  | 10244 | " " Connection Belt Pulley<br>with 202324 and two 201018C ...                                  |
| 201018C | 13371 | Hook Shaft Connection Belt Pulley<br>Set Screw .....   |
| 202324  | 10244 | Hook Shaft Connection Belt Pulley<br>Spring Flange .....                                       |
| 202260  | —     | Hook Shaft Oil Packing (wick) (2)  |
| 206775  | 13371 | " " Pin .....  |
| 206751  | 13371 | " Washer .....   |
| 200145H | 10964 | " " Screw .....  |
| 208490  | 13373 | Knee Lifter Connection Lever .....   |
| 202447  | 10936 | " " " " Lift-<br>ing Rod with 202302 .....   |
| 202302  | 10248 | Knee Lifter Connection Lever Lift-<br>ing Rod Cotter Pin .....                                 |
| 202449  | 10936 | Knee Lifter Lifting Lever .....  |
| 202326  | 10248 | Needle Bar with 200141F .....  |
| 202327  | 10248 | " " Bushing .....  |
| 203123  | —     | " " " " 202327 with<br>202326 .....  |
| 200352C | 10248 | Needle Bar Bushing Set Screw ...   |
| 202331  | 10248 | " " Connecting Link .....  |
| 202332  | 10248 | " " " " Oil<br>Guard .....   |
| 200161D | 10247 | Needle Bar Connecting Link Oil<br>Guard Screw .....  |
| 202333  | 10248 | Needle Bar Connecting Link Stud<br>with 202254 .....   |
| 202254  | —     | Needle Bar Connecting Link Stud<br>Oil Packing (wick) .....                                    |
| 200374C | 10668 | Needle Bar Connecting Link Stud<br>Set Screw .....   |
| *206891 | —     | Needle Bar Connecting Stud .....   |
| 202329  | 10248 | " " " " 206891<br>with 200086C and 202330 .....  |

| No.     | Plate | Name   |
|---------|-------|--|
| 202330  | —     | Needle Bar Connecting Stud Oil<br>Packing (wick) .....                                       |
| 200086C | 10248 | Needle Bar Connecting Stud Pinch<br>Screw .....  |
| 202328  | 13373 | Needle Bar Crank with 200335C,<br>200428C, 202333 and two 200374C                            |
| 203117  | —     | Needle Bar Crank 202328 with<br>202329, 202331 and 202398 to<br>202400 .....                 |
| 203172  | 10248 | Needle Bar Crank Friction Washer   |
| 200428C | 10248 | " " " Position Screw ..  |
| 200335C | 10244 | " " " Set Screw .....  |
| 200141F | 10248 | " " " Set Screw .....  |
| 202335  | 13373 | Presser Bar (hollow) with 200074F  |
| 207072  | 10249 | " " Bushing .....  |
| 200352C | 10248 | " " " Set Screw ....   |
| 202339  | 10249 | " " Lifter .....   |
| 200653C | 10249 | " " " Hinge Screw ...  |
| 202340  | 10249 | " " Lifting Releasing Lev-<br>er Bracket .....   |
| 200260D | 10249 | Presser Bar Lifting Releasing Lev-<br>er Bracket Guide Screw .....                           |
| 202342  | 10249 | Presser Bar Lifting Releasing Lev-<br>er Bracket Spring (spiral) .....                       |
| 202337  | 10249 | Presser Bar Position Guide .....   |
| 202338  | 10249 | " " " " Lever<br>with 200086F .....  |
| 200086F | 10248 | Presser Bar Position Guide Lever<br>Pinch Screw .....  |
| 200352C | 10248 | Presser Bar Position Guide Set<br>Screw .....  |
| 202343  | 13371 | Presser Bar Spring (light) .....   |
| 202346  | 10249 | " " " Stop Rod .....   |
| 200492B | 10249 | " " Thumb Screw (pres-<br>sure regulating) .....   |
| 200475B | 10668 | Presser Bar Thumb Screw Thumb<br>Set Screw .....   |
| 202355  | 10668 | Presser Bar Thumb Screw Thumb<br>Set Screw Packing (brass) .....                             |
| 202584  | 10286 | Presser Foot with 202578 .....   |
| 200074F | 10249 | " " Screw .....  |
| 202068  | 13374 | Spool Holder Base .....  |
| 206541  | 13374 | " " " Bracket .....  |
| 200265E | 13371 | " " " " Screw ..   |
| 206542  | 13374 | Spool Holder Base Bracket com-<br>plete, Nos. 206541, three each<br>200575H and 204297 ..... |
| 200575H | 10668 | Spool Holder Base Screw .....  |
| 204296  | 13374 | " " Wire .....   |
| 200079H | 10668 | " " " Hinge Screw ...  |

| No.     | Plate | Name  |
|---------|-------|---|
| 204297  | ---   | Spool Holder complete, Nos. 200079n, 202068 and 204296 .....  |
| 202397  | 10668 | Take-up (auxiliary) .....   |
| 200842e | 10668 | " " Screw .....   |
| 202398  | 10247 | " Lever .....   |
| 202399  | 10247 | " " Driving Stud with 202277 .....  |
| 202277  | ---   | Take-up Lever Driving Stud Oil Packing (wick) .....   |
| 202400  | 10247 | Take-up Lever Hinge Stud with 202423 .....  |
| 202423  | ---   | Take-up Lever Hinge Stud Oil Packing (wick) .....   |
| 200383c | 10246 | Take-up Lever Hinge Stud Set Screw .....  |
| 202401  | 10247 | Take-up Lever Oiling Felt .....   |
| 200132e | 10247 | " " " " Screw ..  |
| 202402  | 10247 | Tension Disc (back) .....   |
| 202403  | 10247 | " " (front) .....   |
| 202404  | 10247 | " Release Plunger .....   |
| 202405  | 10247 | " " Washer .....  |
| 202407  | 10881 | " Spring .....  |
| 200625e | 10247 | " Stud with 204925 .....  |
| 200061c | 13371 | " " Set Screw .....   |
| 204925  | 10668 | " " Washer .....  |
| 201572b | 10881 | " Thumb Nut .....   |
| 202409  | 10252 | Tension complete, Nos. 200625e, 201572b, 202402, 202403, 202405, 202407 and 202410 .....                        |
| 202410  | 10252 | Thread Controller Spring .....  |
| 202411  | 10252 | " " " Stop .....  |
| 200132e | 10247 | " " " " Screw .....   |
| 202413  | 10252 | " Guide .....   |
| 202414  | 10252 | " " .....   |
| 202415  | 10252 | " " .....   |
| 202417  | 10252 | " " .....   |
| 200582n | 10252 | " " Screw .....   |
| 200355n | 10252 | " " Set Screw .....   |
| 200368n | 10668 | " " " " .....   |
| 202091  | 10252 | " Retainer Sleeve .....   |
| 202092  | 10252 | " " Spring .....  |
| 204058  | 10252 | " " Stud .....  |
| 200368n | 10668 | " " " Set Screw .....   |
| 204059  | 10668 | Thread Retainer complete, Nos. 202091, 202092 and 204058 .....  |
| 202818  | 13371 | Throat Plate, 50 needle hole, for needle sizes 14 and 15, with 202534, 202619 and two 200583n, for 202282 ..... |

| No.     | Plate | Name   |
|---------|-------|--|
| 202534  | 10668 | Throat Plate Bobbin Case Stop ...            |
| 202619  | 10668 | " " " " " Po-<br>sition Pin .....            |
| 200583n | 10668 | Throat Plate Bobbin Case Stop<br>Screw ..... |
| 200577n | 10245 | Throat Plate Screw (2) .....                 |

## ACCESSORIES

| No.     | Plate | Name   |
|---------|-------|--|
| 200157B | 13371 | Attachment Screw .....   |
| 202265  | 10964 | Bobbin (5) .....   |
| *225482 | —     | " Case Screw Driver Blade ...                                  |
| *225483 | —     | " " " " Handle ..  |
| 225497  | 14334 | Bobbin Case Screw Driver complete, Nos. 225482 and 225483 ...  |
| 12361   | 14334 | Machine Hinge Connection .....                                 |
| 135 x 5 | —     | Needles, three each, sizes 12 and 14                           |
| 225180  | —     | Drip Pan (short) with four wood screws ½ in., No. 5 .....      |
| 41400   | 14334 | Machine Rest Pin (wood) .....                                  |
| 120342  | 14334 | Oiler (copper plated) with 120343                              |
| 120343  | 14334 | " Spout, 3½ in. long .....                                     |
| *225484 | —     | Screw Driver Blade .....                                       |
| *225485 | —     | " " Handle .....   |
| 225498  | 14334 | Screw Driver complete (7¼ in. long), Nos. 225484 and 225485 .. |
| 225554  | 14334 | Wrench (steel) .....   |

### BOBBIN WINDER

#### Swing Automatic, Right Hand

|         |       |                                   |
|---------|-------|-----------------------------------|
| 225453  | 10884 | Frame with 202277 and 225438 ...  |
| 225454  | 10884 | " Hinge Pin .....                 |
| 202277  | —     | " Oil Packing (wick) .....        |
| 225438  | 10884 | " " Well Cap .....                |
| 225455  | 10884 | " Spring .....                    |
| 225456  | 10884 | " " Plunger .....                 |
| 202473  | 10885 | Pulley with 200380c .....         |
| 200380c | 10286 | " Set Screw .....                 |
| 225381  | 10884 | Spindle .....                     |
| 225444  | 10884 | Stop Latch .....                  |
| 200056E | 10884 | " " Screw .....                   |
| 225458  | 10884 | " " Thumb Lever .....             |
| 225459  | 10884 | " " " " Hinge Stud                |
| 225460  | 10884 | " " " " Joint Stud                |
| 202478  | 10884 | " " Trip Lever .....              |
| 200299H | 10884 | " " " " Hinge Screw               |
| 225461  | 10881 | Tension Bracket with 201499B .... |
| 200082D | 10881 | " " Screw .....                   |
| 228026  | 10884 | " " " Washer .....                |
| 2102    | 10881 | " Disc .....                      |

| No.     | Plate | Name   |
|---------|-------|--|
| 202407  | 10881 | Tension Spring .....   |
| 201499B | 10881 | " Stud .....   |
| 201572B | 10881 | " " Thumb Nut .....  |
| 225462  | 10881 | Bobbin Winder Tension Bracket complete, Nos. 201572B, 202407, 225461 and two 2102 .....  |
| 225433  | 10885 | Bobbin Winder and Tension Bracket Base .....   |
| 225382  | 10885 | Universal Bobbin Winder complete, Nos. 200056E, 200082D, 200299H, 202473, 202478, 225381, 225433, 225444, 225453 to 225456, 225458 to 225460, 225462, 228026 and two wood screws ¾ in., No. 13, R.H.B. |

### KNEE LIFTER

|         |       |  |
|---------|-------|--|
| 227781  | 10936 | Knee Lifter Rock Lever with 200522c and 200529c .....              |
| 227782  | —     | Knee Lifter Rock Lever 227781 with two each 202451 and 202452 .... |
| 227783  | —     | Knee Lifter Rock Lever 227782 with 202985 and 227784 .....         |
| 202453  | 10936 | Knee Lifter Rock Lever Knee Plate with 200526c .....               |
| 202985  | —     | Knee Lifter Rock Lever Knee Plate 202453 with 202455 .....         |
| 202455  | 10936 | Knee Lifter Rock Lever Knee Plate Arm (short) .....                |
| 200522c | 13371 | Knee Lifter Rock Lever Knee Plate Arm Set Screw .....              |
| 200526c | 13371 | Knee Lifter Rock Lever Knee Plate Set Screw .....                  |
| 202451  | 10936 | Knee Lifter Rock Lever Lug with two wood screws ¾ in., No. 13H..   |
| 202452  | 13371 | Knee Lifter Rock Lever Lug Hinge Pin .....                         |
| 227784  | 10936 | Knee Lifter Rock Lever Rod, 3 in. long, with 227785 .....          |
| *227785 | —     | Knee Lifter Rock Lever Rod Cap or Oil Guard .....                  |
| 200529c | 13371 | Knee Lifter Rock Lever Rod Set Screw .....                         |

(Other Knee Lifter Parts are listed with parts of machine head)

THREAD UNWINDER

| No.     | Plate | Name   |
|---------|-------|--|
| 225389  | 14083 | Spool Rest (for one spool) with 201018c  |
| 225395  | 14083 | Spool Rest (for two spools) with 201018c   |
| 225388  | 14083 | Spool Rest Rod   |
| 200383c | 10246 | " " " Set Screw  |
| 201018c | 13371 | " " " Set Screw  |
| 202490  | 14083 | " Stand with 200383c   |
| 225391  | 14083 | Thread Guide   |
| 201696j | 13371 | " " Lock Nut   |
| 225392  | 14083 | " " Rod with 208E and 225393   |
| 208E    | 13371 | Thread Guide Rod Screw   |
| 225393  | 13371 | " " " Washer   |
| 225397  | 14083 | Thread Unwinder (for three spools) complete, Nos. 201696j, 202490, 225388, 225389, 225392, 225395, three each 225391 and wood screws $\frac{3}{8}$ in., No. 13 |

Parts used in connection with but not included in Thread Unwinder 225397

|        |       |                          |
|--------|-------|--------------------------|
| 27739  | —     | Thread Cone (wood)       |
| 60913  | 14083 | Spool Weight with 60914  |
| 60914  | —     | " " Center Pin           |
| 225377 | 14083 | " Wire, for small spools |

PLATE 10244—FULL SIZE

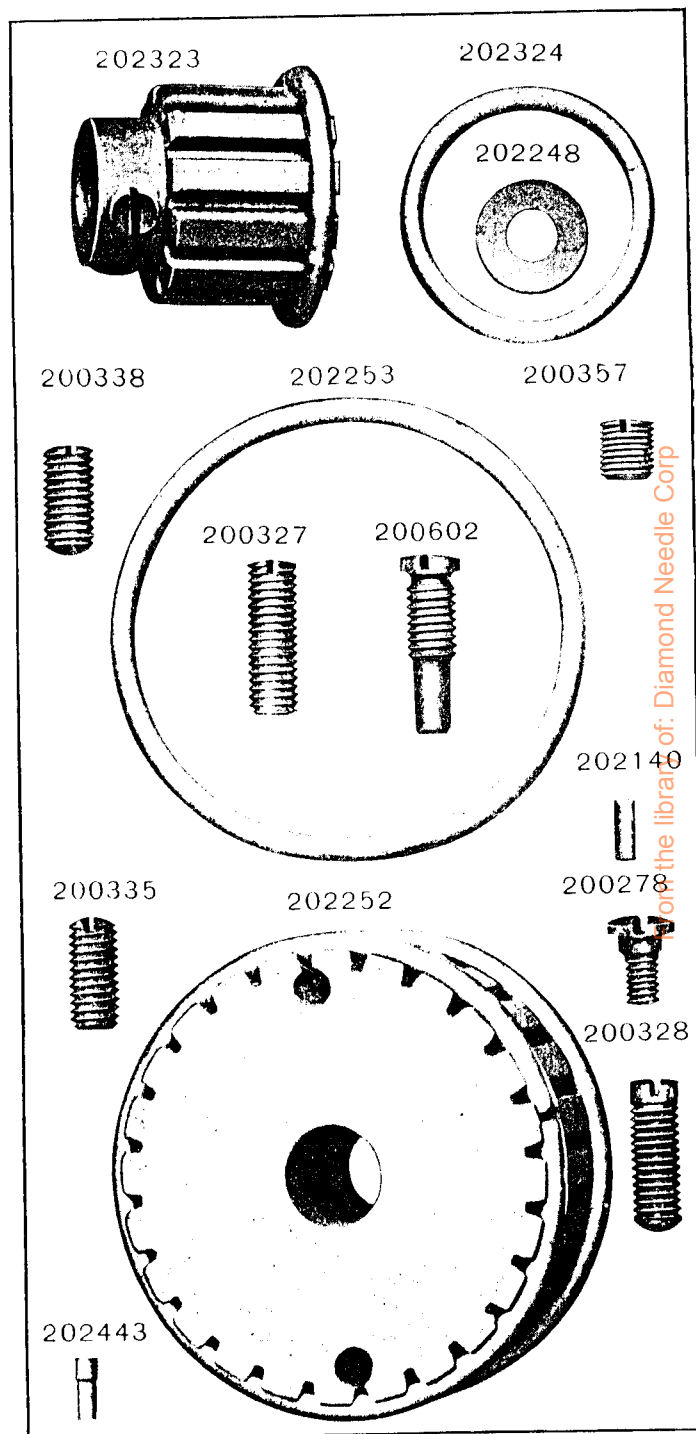
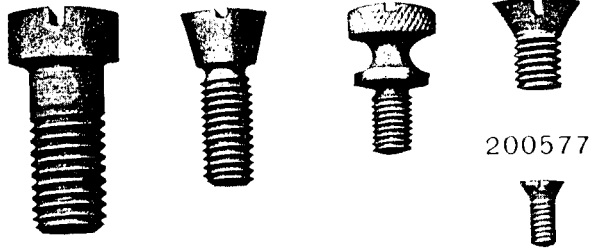




PLATE 10245—FULL SIZE

200010 200545 200462 200570



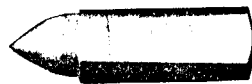
200577



202135



202305



202276 200205 200038 200139



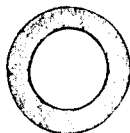
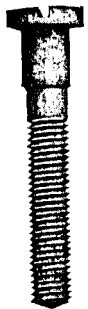
200196



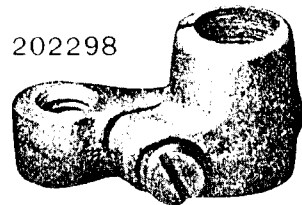
201518



201014 202005



202298



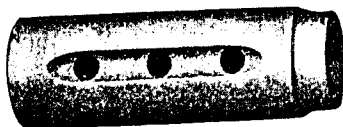
201525



202321



202322

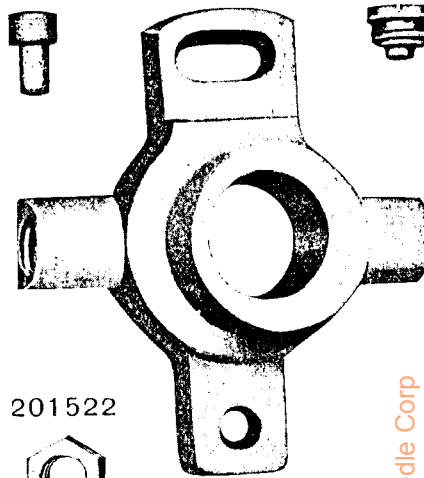


200346



PLATE 10246—FULL SIZE

200641 202301 202300 200607



201522



202595



200429



200054



202446



200043



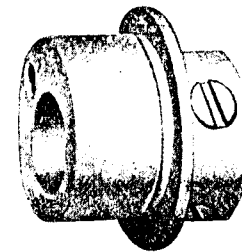
200437



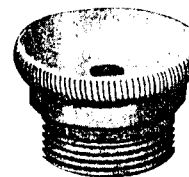
200383



202307



200502



The Library of Diamond Needle Corp

PLATE 10247—FULL SIZE

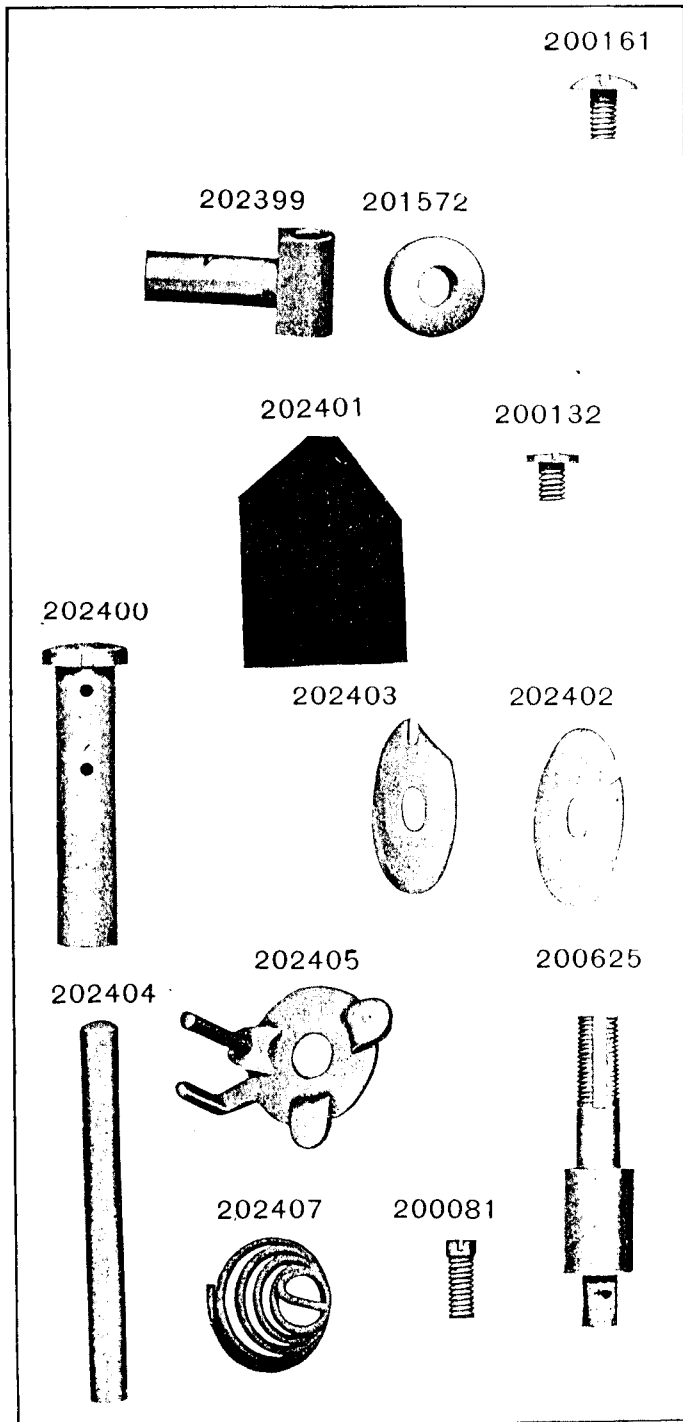
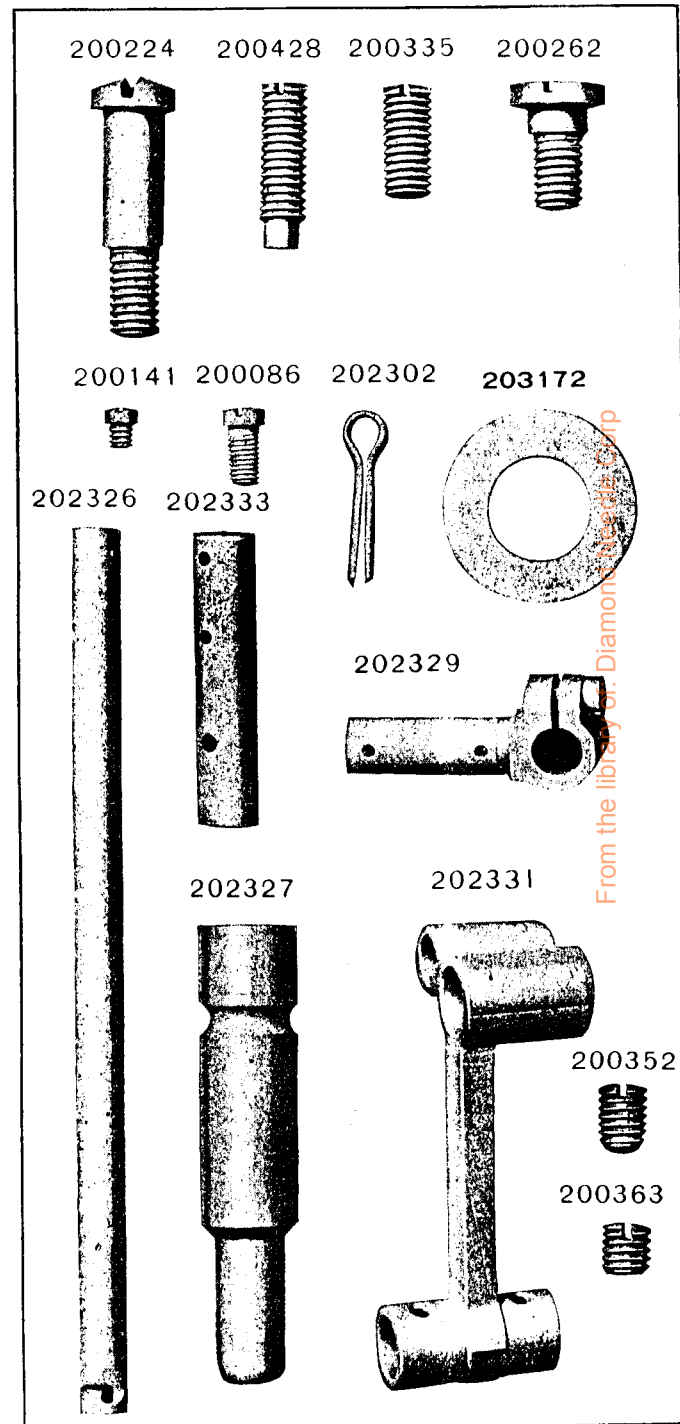


PLATE 10248—FULL SIZE



From the library of: Diamond Tools Corp

PLATE 10249—FULL SIZE

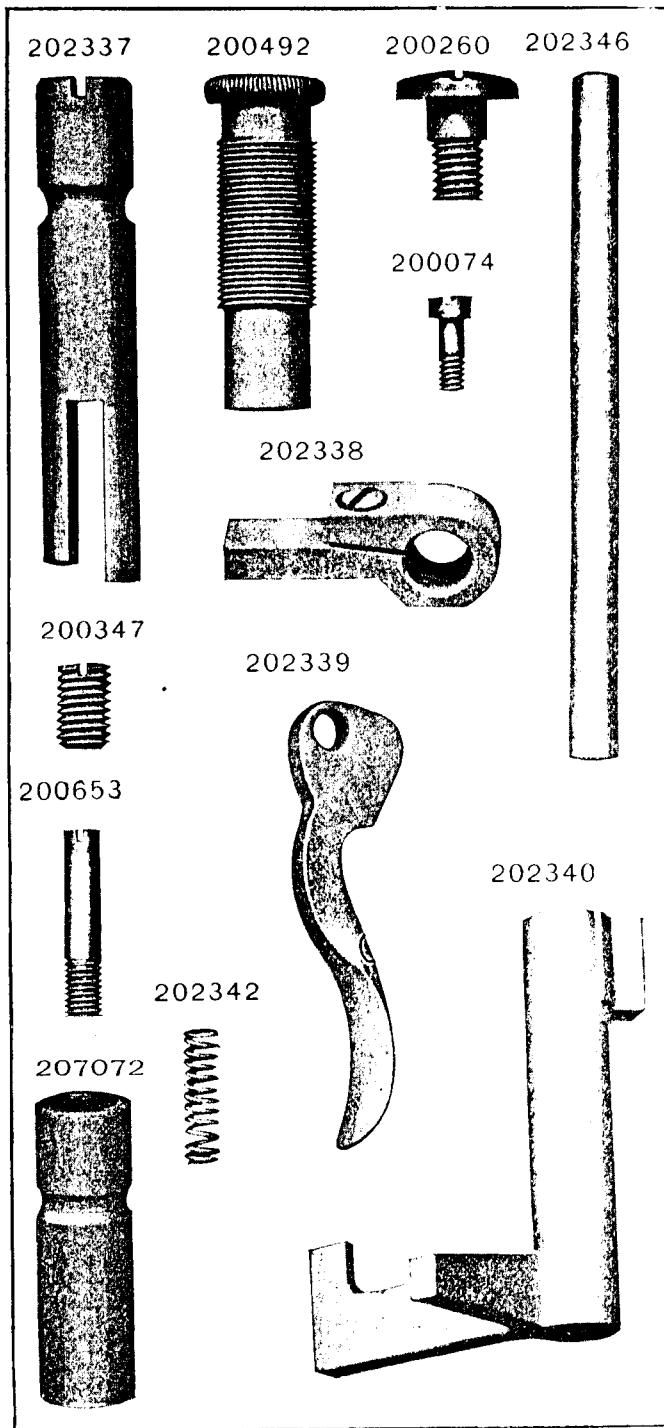


PLATE 10252—FULL SIZE

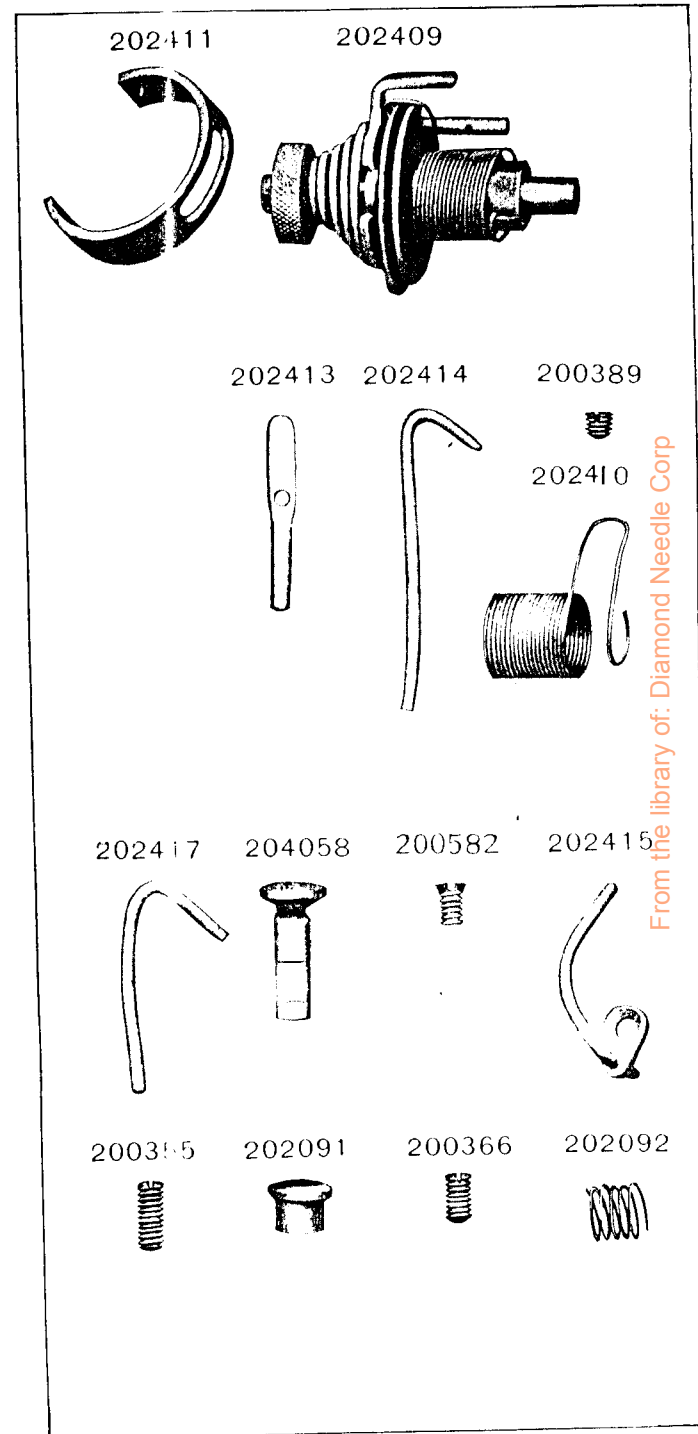


PLATE 10285—FULL SIZE

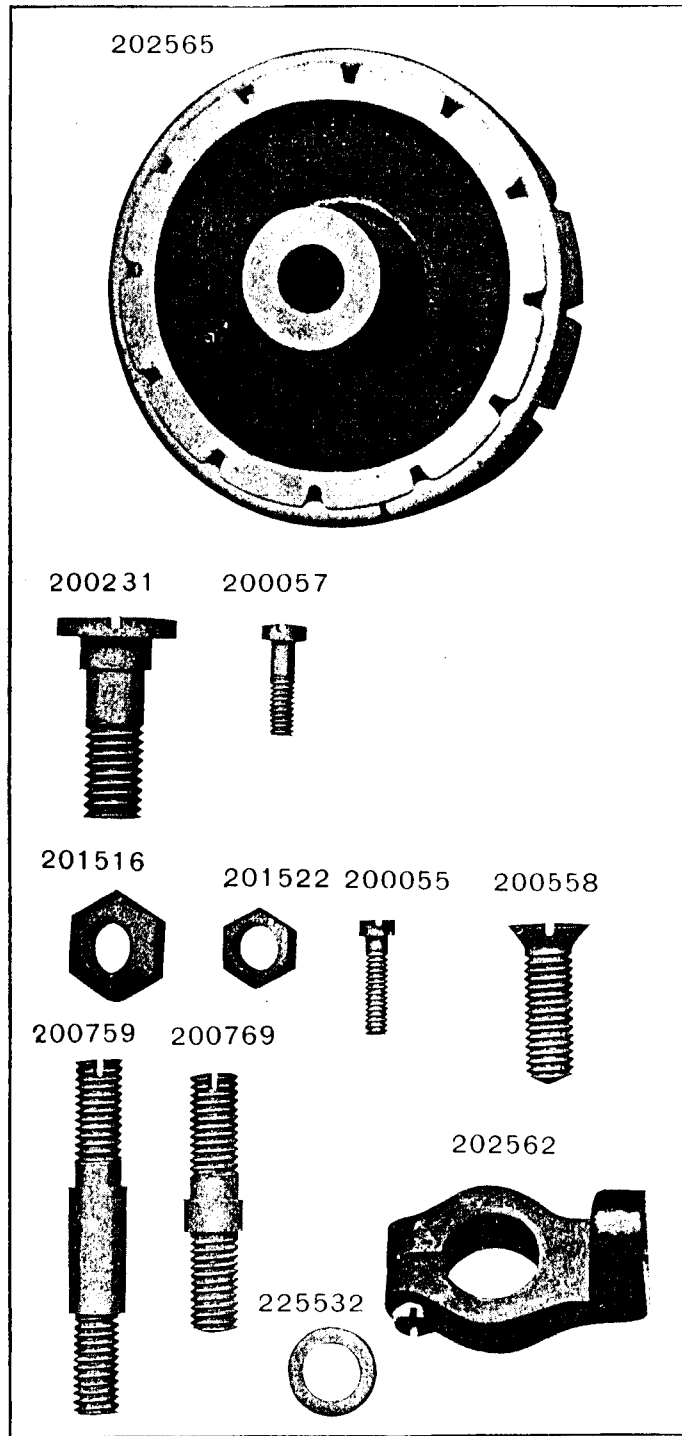


PLATE 10286—FULL SIZE

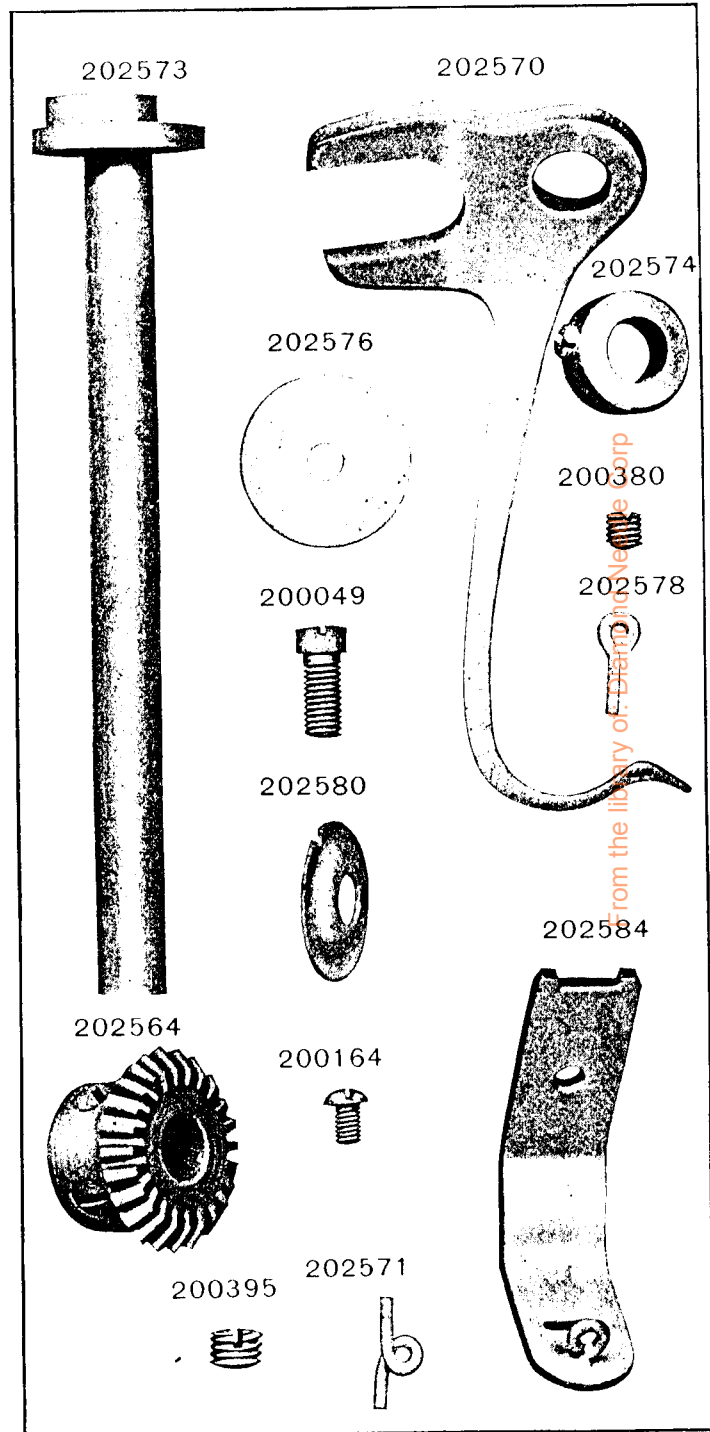


PLATE 10668—FULL SIZE

200475    200575    200374    200583



200378



200368



200079



200842



202619



202355



202872



202036



204925



204059



204235



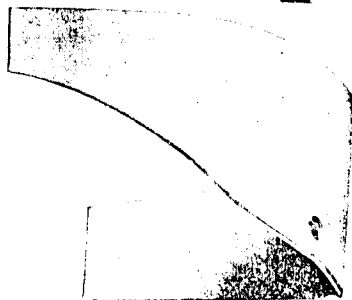
202534



202397



202332

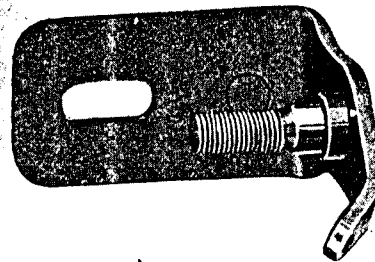


210554



PLATE 10881—FULL SIZE

225461



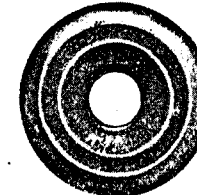
200082



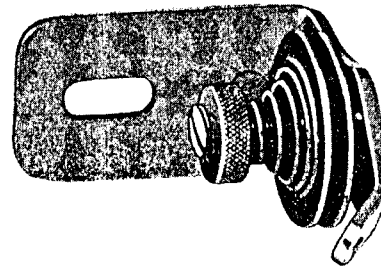
202104



2102



225462



202407



201499



201572



From the library of: Diamond Needle Corp.

PLATE 10884—FULL SIZE

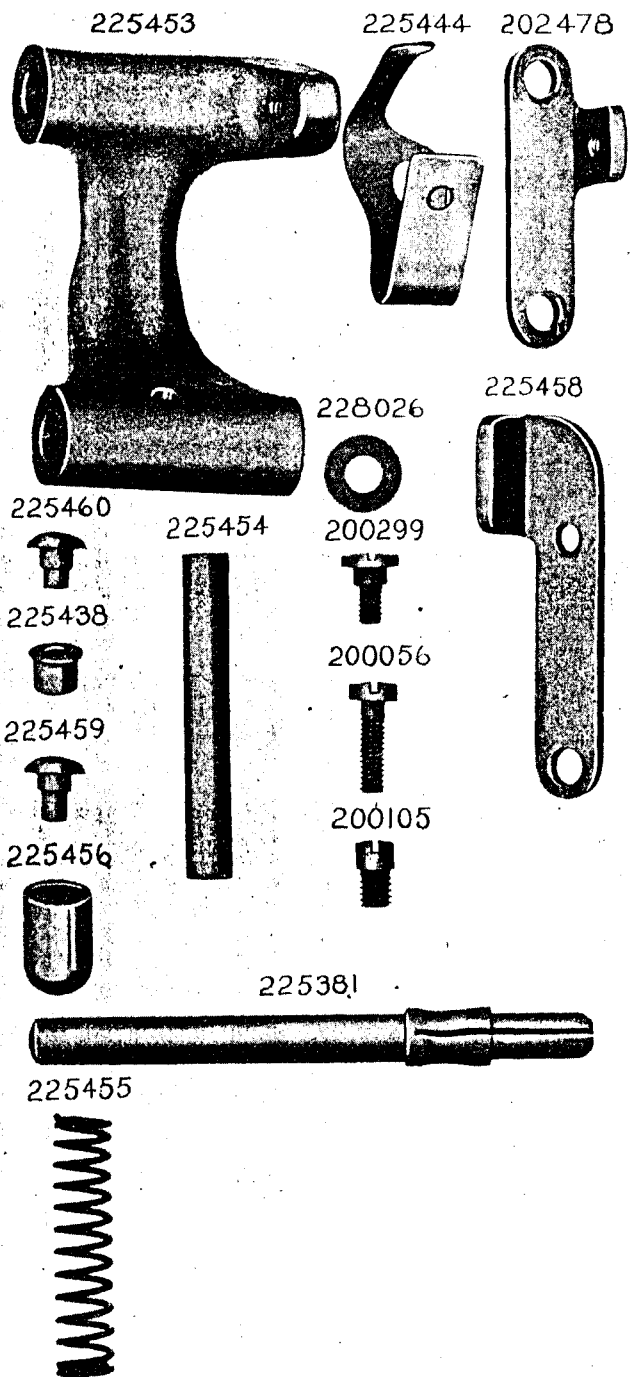
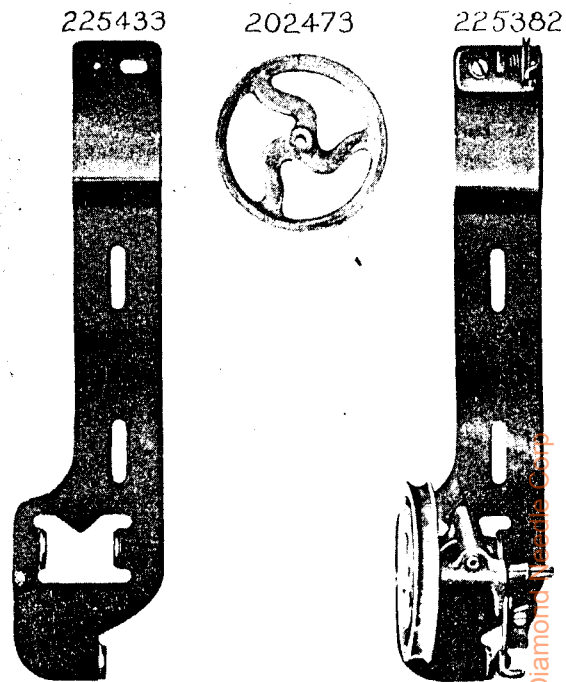


PLATE 10885—ONE-FOURTH SIZE



From the library of: [Diamonds.usps.gov](http://diamonds.usps.gov)

PLATE 10936 - ONE-FOURTH SIZE

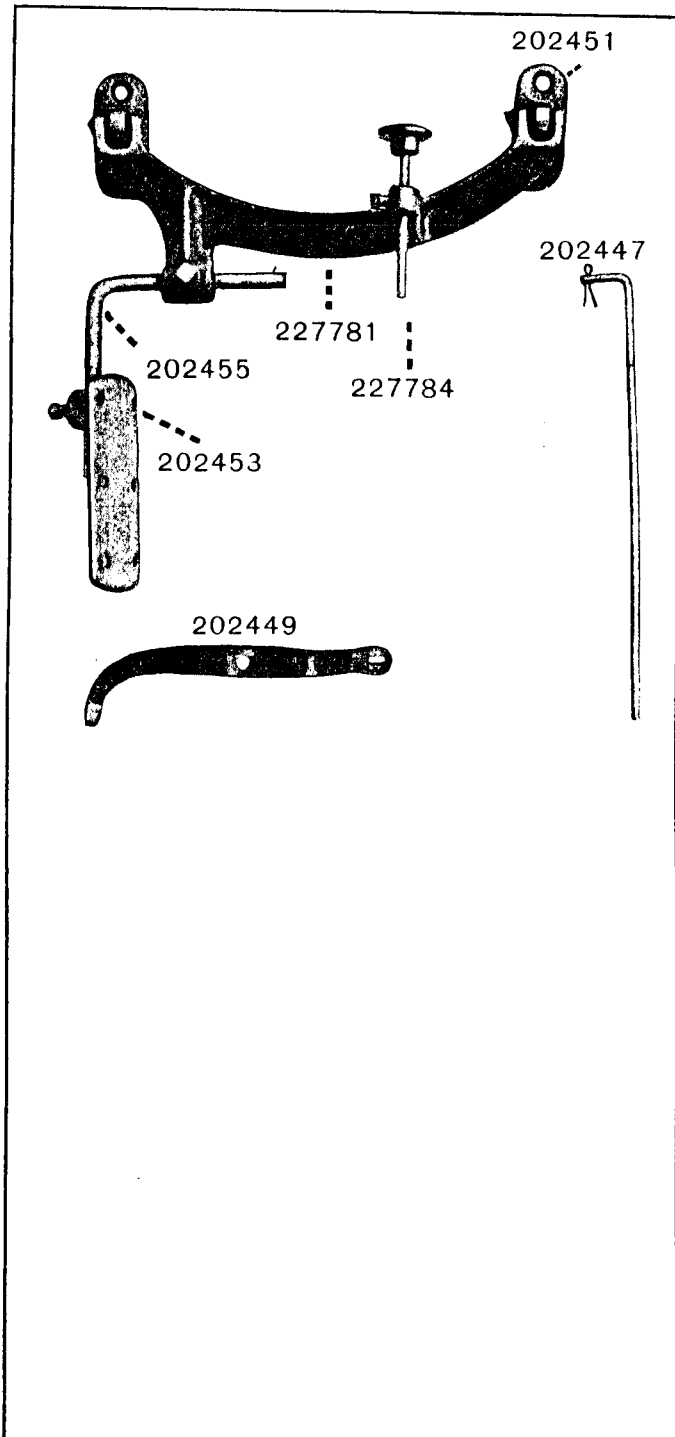
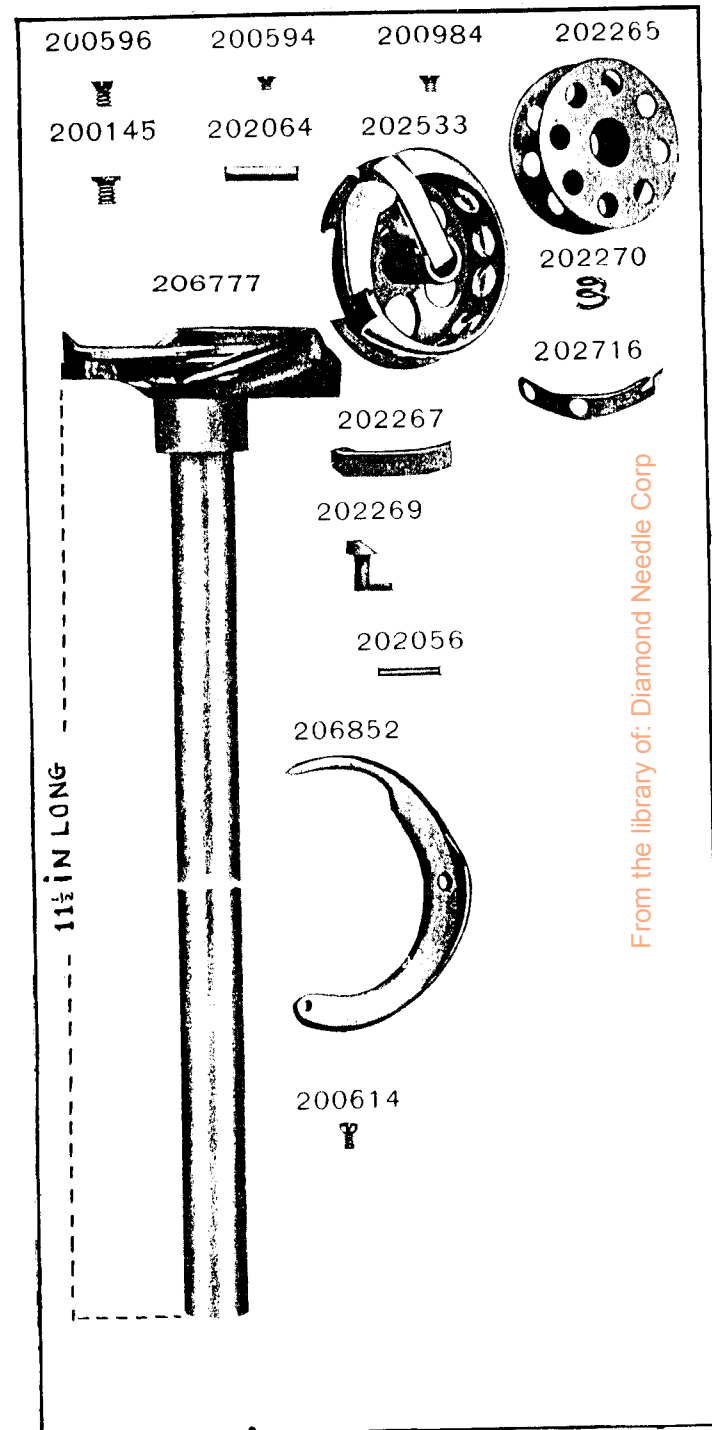


PLATE 10964 - FULL SIZE



From the library of: Diamond Needle Corp

PLATE 13371—FULL SIZE

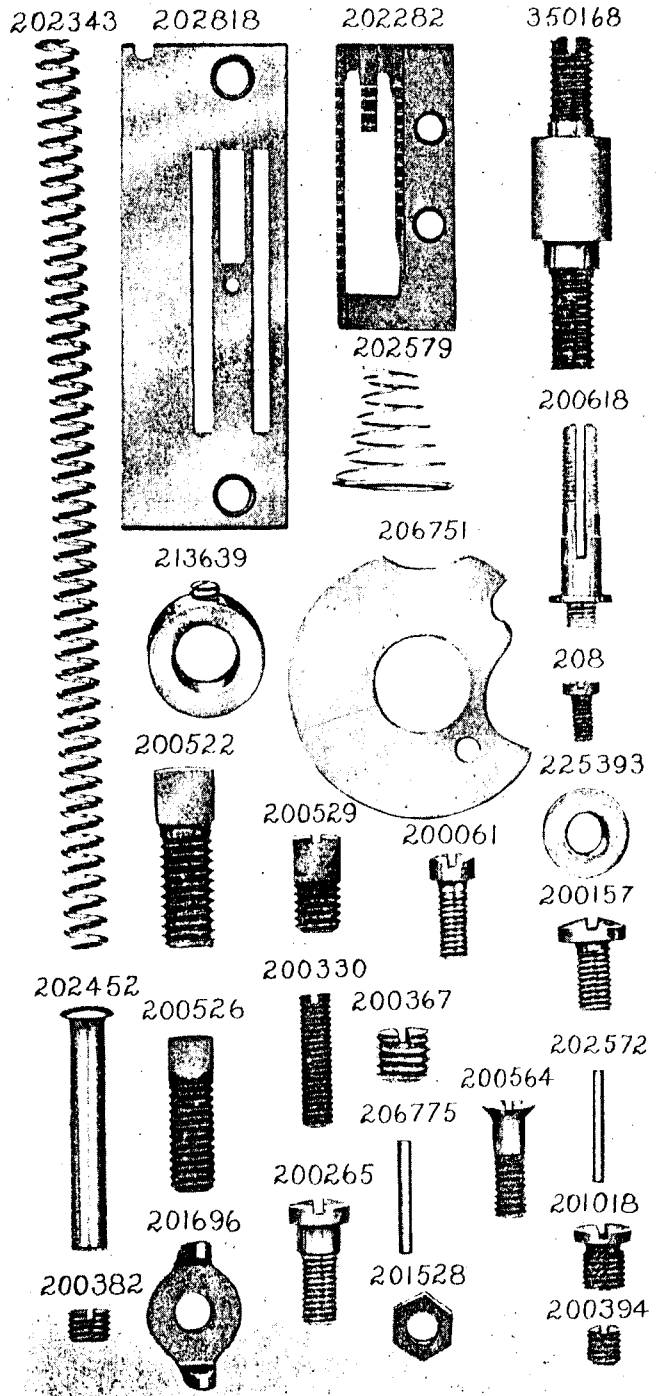


PLATE 13372—ONE-HALF SIZE

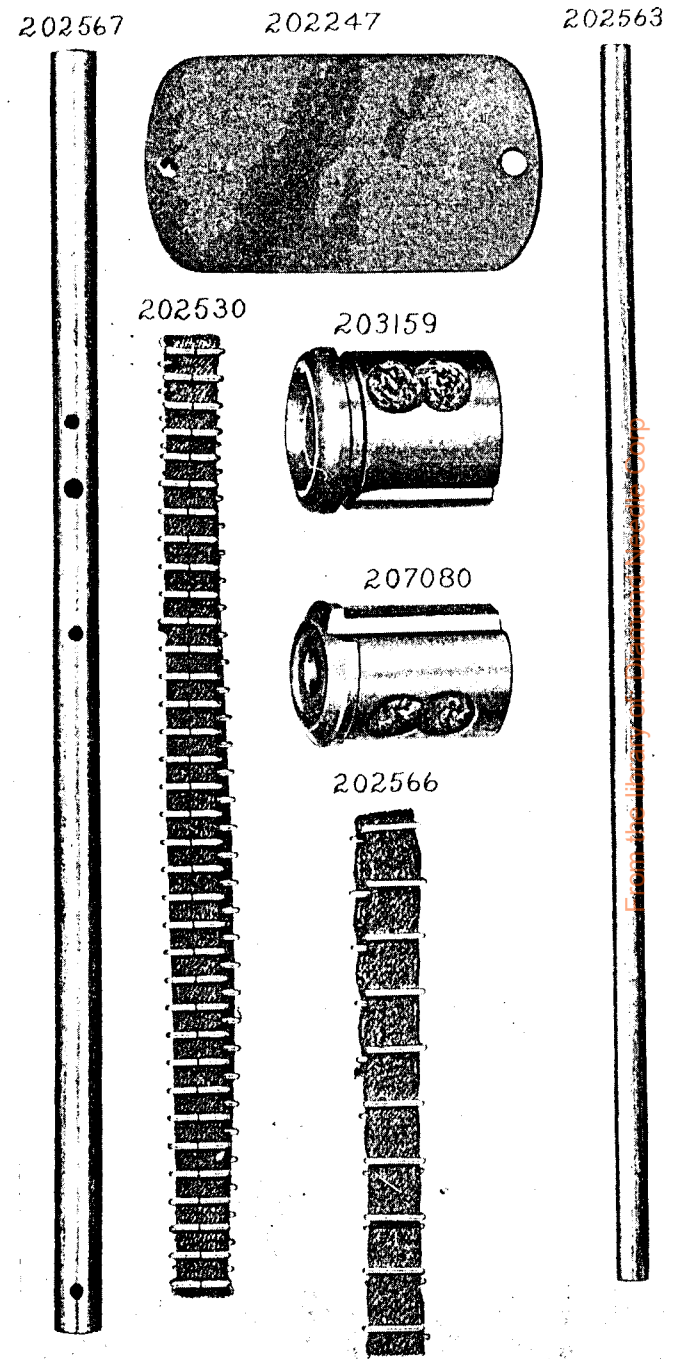




PLATE 13373—ONE-HALF SIZE

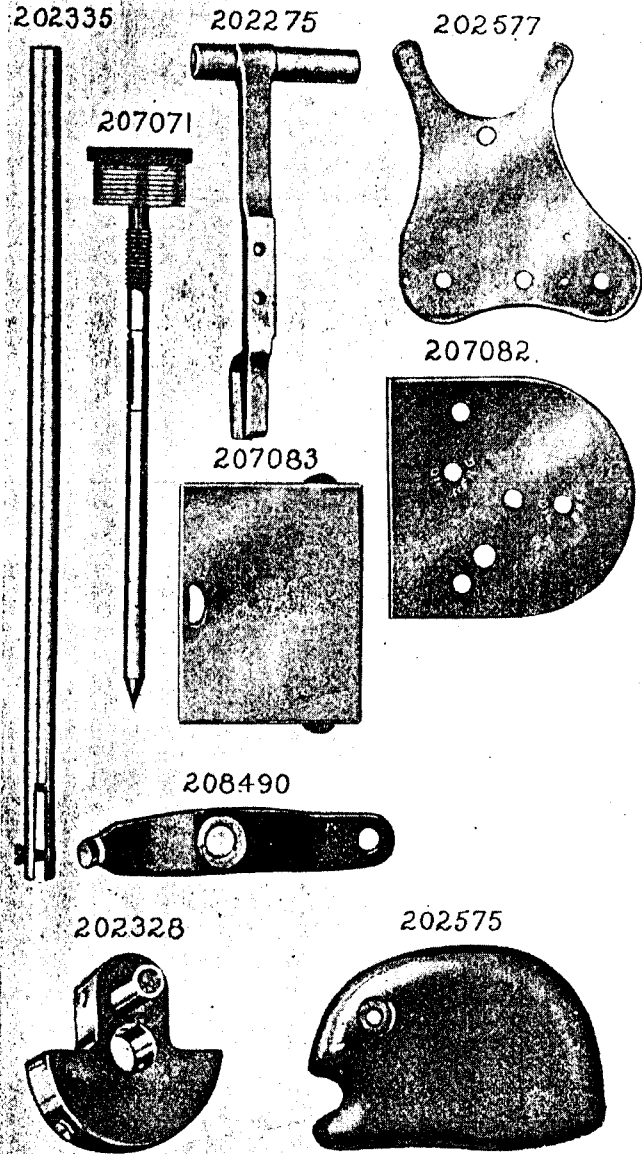
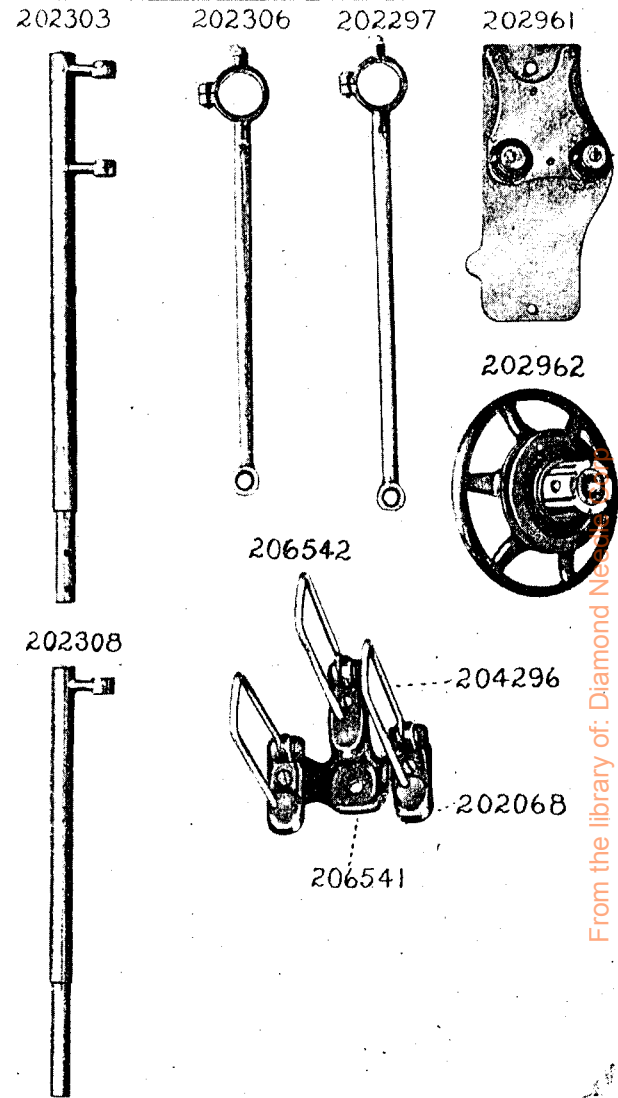


PLATE 13374—ONE-FOURTH SIZE

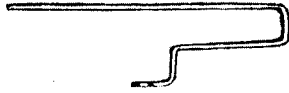


From the library of: Diamond News

PLATE 14083—ONE-SIXTH SIZE

225377

60913



225397

225391

225391

225391

225392

225388

225395

225389

202490

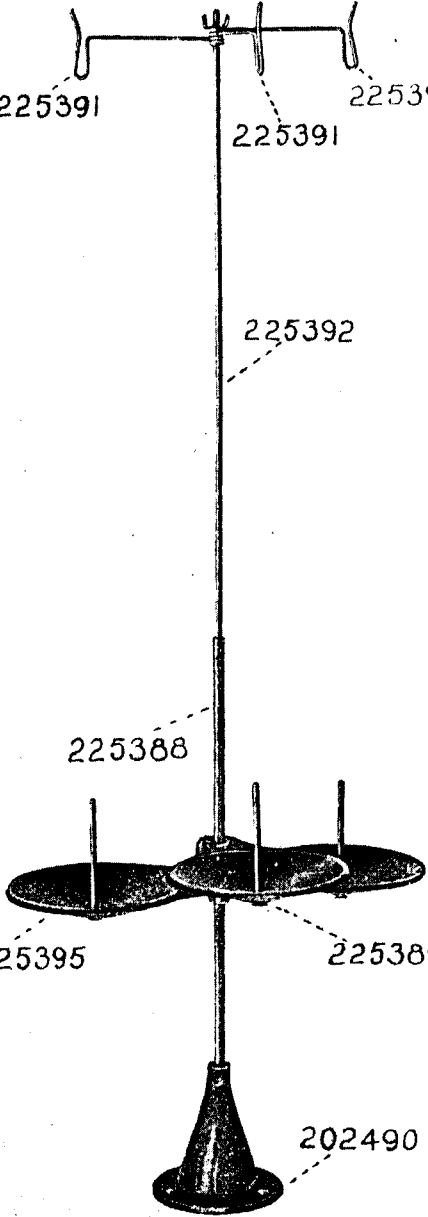


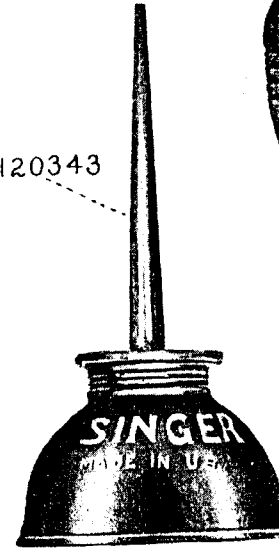
PLATE 14334—ONE-HALF SIZE

120342

225498

225497

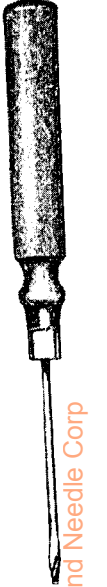
120343



225554



12361



41400



From the Library of Diamond Needle Corp